

1 Position tank inside of tub holder and secure heavy-duty chain into the chain latch on the opposite side. Make sure there are no objects (like hands or clothing) between the tank and chain and depress the tub holder valve to energize the pneumatic locking cylinder to energize the locking cylinder, thus tightening the holding chain around the tub.

***KEEP HANDS FREE FROM THE CHAIN AS IT TIGHTENS OR INJURY MAY OCCUR**

***DO NOT STAND ON TUB HOLDER**

***A MINIMUM OF 80 PSIG SHOULD BE USED AT ALL TIMES**

2 Always check the chain tightness before turning on machine.

***THE TUB MUST BE SECURED BEFORE MIXER IS TURNED ON. INJURY OR DAMAGE TO THE MACHINE OR TANK MAY OCCUR**

3 Lower the blade into the tank slowly, checking to confirm that the blade is centrally located in the vessel. Lower the blade to the bottom position of the machine.

***BLADE MUST BE CENTRALLY LOCATED IN VESSEL TO MIX EFFICIENTLY AND TO AVOID CONTACTING WALL OF VESSEL**

4 Ensure the safety switches on the tub holder, vertical rise and emergency stops are connected and functioning properly.

***NEVER BY-PASS THESE SAFETIES**

***DO NOT OPERATE MACHINE WITHOUT SHAFT OR DRIVE GUARDS**

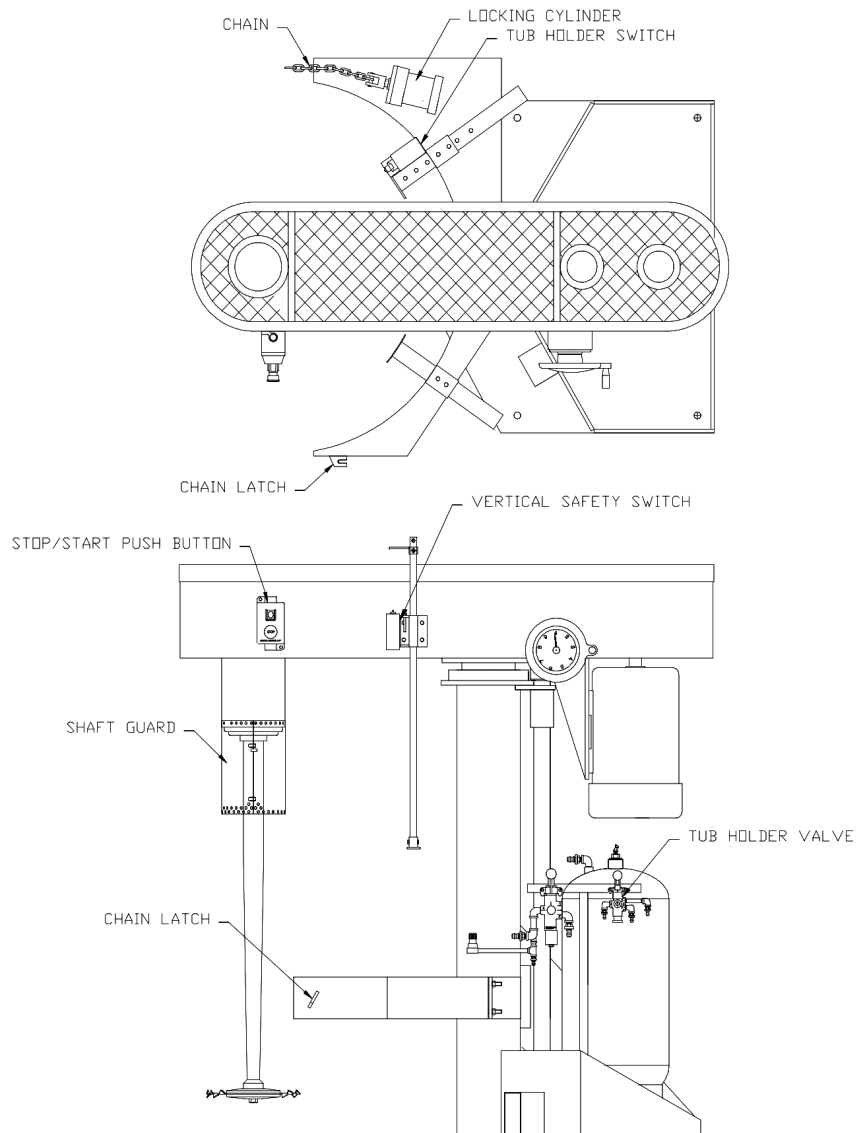
5 Before starting the machine, ensure that the handwheel is set to a very low speed. If it is not, jog the machine by pressing the start and stop buttons alternately while turning the handwheel down to the lowest speed. If the handwheel is already at a low speed, press the start button and slowly ramp the speed to the desired level.

***DO NOT ATTEMPT TO BEGIN RUNNING THE BLADES IN ANY SETTING OTHER THAN DEAD SLOW**

***NEVER TURN THE HANDWHEEL WHILE THE MACHINE IS NOT RUNNING. THIS COULD CRUSH THE DRIVE BELT OR DESTROY OTHER HEAD COMPONENTRY OF THE MACHINE.**

6 To stop the machine, always turn the handwheel to the lowest speed setting before hitting the stop button.

OLD VERSION (handwheel speed control)



WHY CHOOSE SCHOLD

A trusted name since 1949, **Schold** has made breakthroughs and improvements, but one thing has held true—we have continually remained a **client-centric solutions provider**. While we offer a variety of standardized machinery models, we will also work with you to design, fabricate and install entirely **customized solutions**

based on your application needs. Beyond installation, it is our commitment to provide unparalleled customer service. You can count on **Schold** for more than just reliable equipment, you can count on us to be a **trusted partner to your business**.

