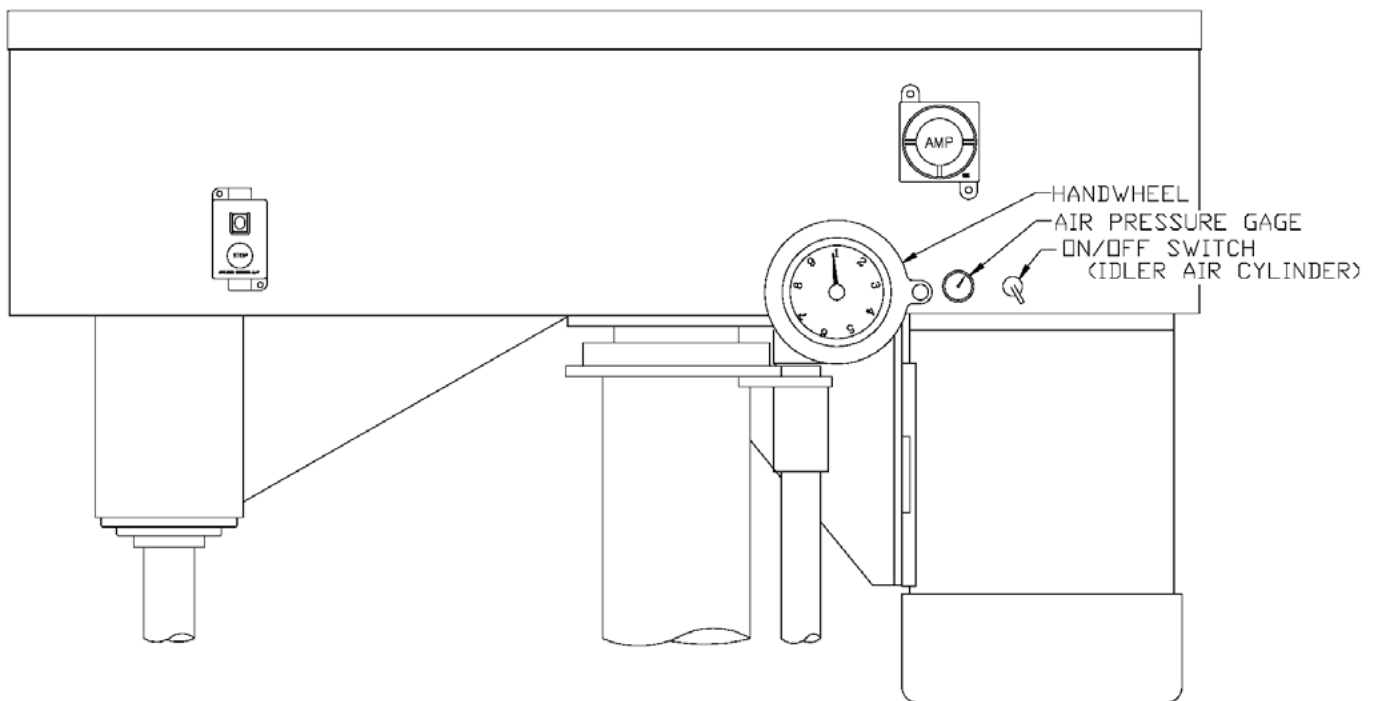


- The numbered mechanical hand wheel regulates the speed ranges of both disperser blades.
- The on/off switch to the right of the hand wheel controls only the high-speed blade. This control should only be turned on when the hand wheel is set on number one, the lowest speed. It may be turned off at any speed.
- The disperser should be run through its entire speed range once a day, each day it is operated.
- Always turn the shafts to the lowest speed setting before shutting off. Never shut the disperser off in high speed. If it should be accidentally shut off in high speed, jog the machine while turning the hand wheel down to lowest speed. Never turn the hand wheel when the machine is not running.
- Never allow the blades to rotate above the product.
- Do not store with the blades immersed in solvent for extended periods, as this will wash the lubricant out of the bottom seal and bearing.
- Never reach across the batch while the shafts are rotating.
- Never wash, wipe or scrape product off the shafts while they are rotating.
- Always lubricate the agitator shafts at least two (2) times per week.
- Periodically tighten low speed blade set screws.



WHY CHOOSE SCHOLD

A trusted name since 1949, **Schold** has made breakthroughs and improvements, but one thing has held true—we have continually remained a **client-centric solutions provider**. While we offer a variety of standardized machinery models, we will also work with you to design, fabricate and install entirely **customized solutions**

based on your application needs. Beyond installation, it is our commitment to provide unparalleled customer service. You can count on **Schold** for more than just reliable equipment, you can count on us to be a **trusted partner to your business**.

