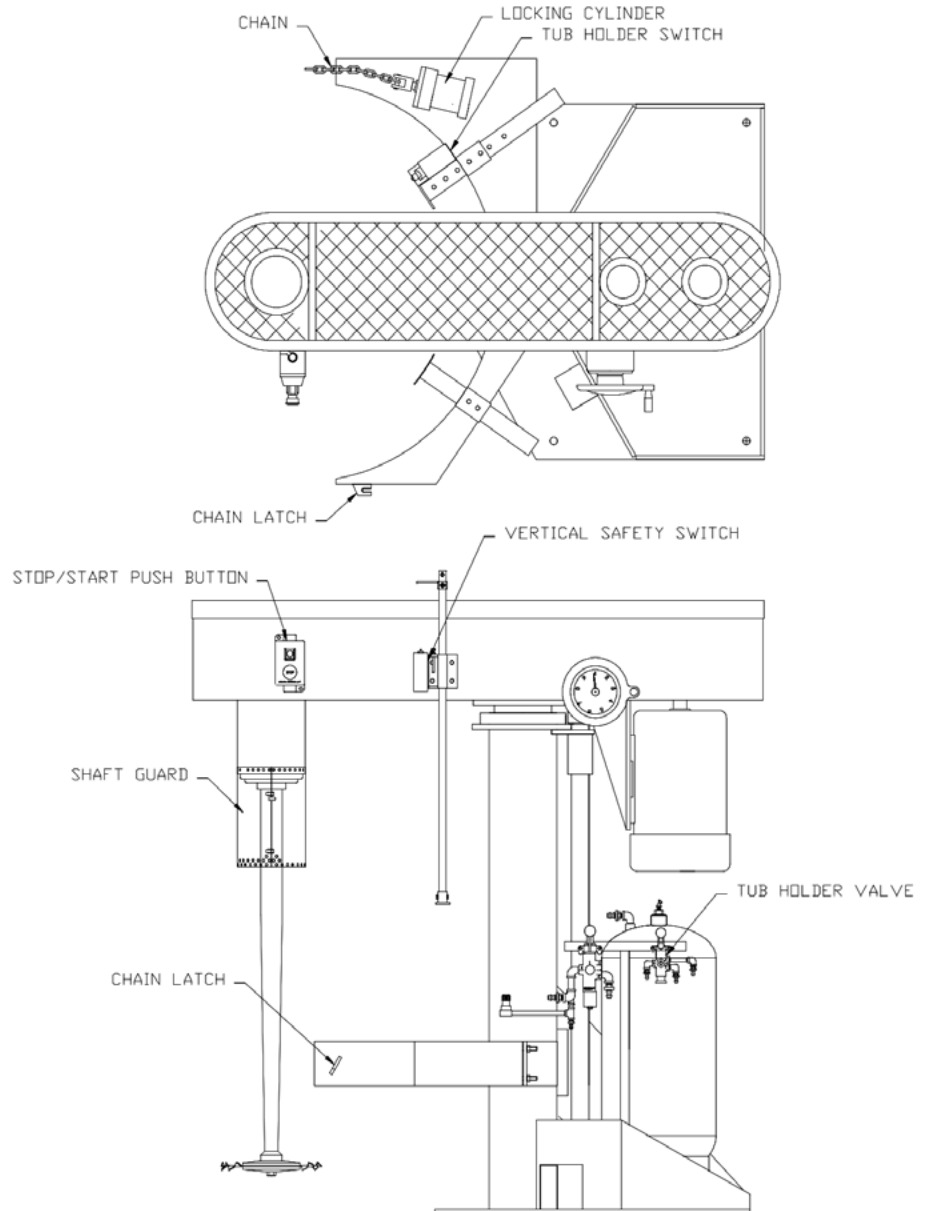


Secure vessel with the heavy-duty chain into the chain latch on the opposite side of the tub holder. Depress the tub holder valve to energize the pneumatic locking cylinder, thus tightening the holding chain. Keep hands free from the chain as the chain tightens or injury to your hands can occur. Do not stand on tub holder.

A minimum of 80 PSIG should be used at all times. Always check the chain tightness before turning on machine. It must be tight. Lower blade, but before it enters vessel stop and check to confirm that the vessel is centrally located in the tub holder. Proceed lowering the blade completely to the bottom. Always make sure the safety switches on the tub holder, vertical rise and emergency stops are hooked up and functioning. Never by-pass these safeties. Do not operate without guards.

Start the blades rotating at low speed; Do not attempt to start the blades in any setting other than dead slow. If the machine should be in any other setting than the lowest speed setting when preparing to start. Jog the machine while turning the hand wheel down to the lowest speed. Never turn the hand wheel when the machine is not running. Never allow the blades to rotate above the product. Always turn the shafts to the lowest speed setting before shutting off. It is good practice to scrape the blades, shaft and sidewalls of the mixing vessel to ensure that all of the pigment is included. Raise the blades higher than the batch to view, and confirm that no pigment is adhered to the blades. Never scrape the vessel's sidewalls or shaft with the shaft rotating. Severe harm, or even death, can occur if one is caught on the rotating shaft by loose clothing, long hair, neckties, aprons, shop coats, etc.



## WHY CHOOSE SCHOLD

A trusted name since 1949, **Schold** has made breakthroughs and improvements, but one thing has held true—we have continually remained a **client-centric solutions provider**. While we offer a variety of standardized machinery models, we will also work with you to design, fabricate and install entirely **customized solutions**

based on your application needs. Beyond installation, it is our commitment to provide unparalleled customer service. You can count on **Schold** for more than just reliable equipment, you can count on us to be a **trusted partner to your business**.

